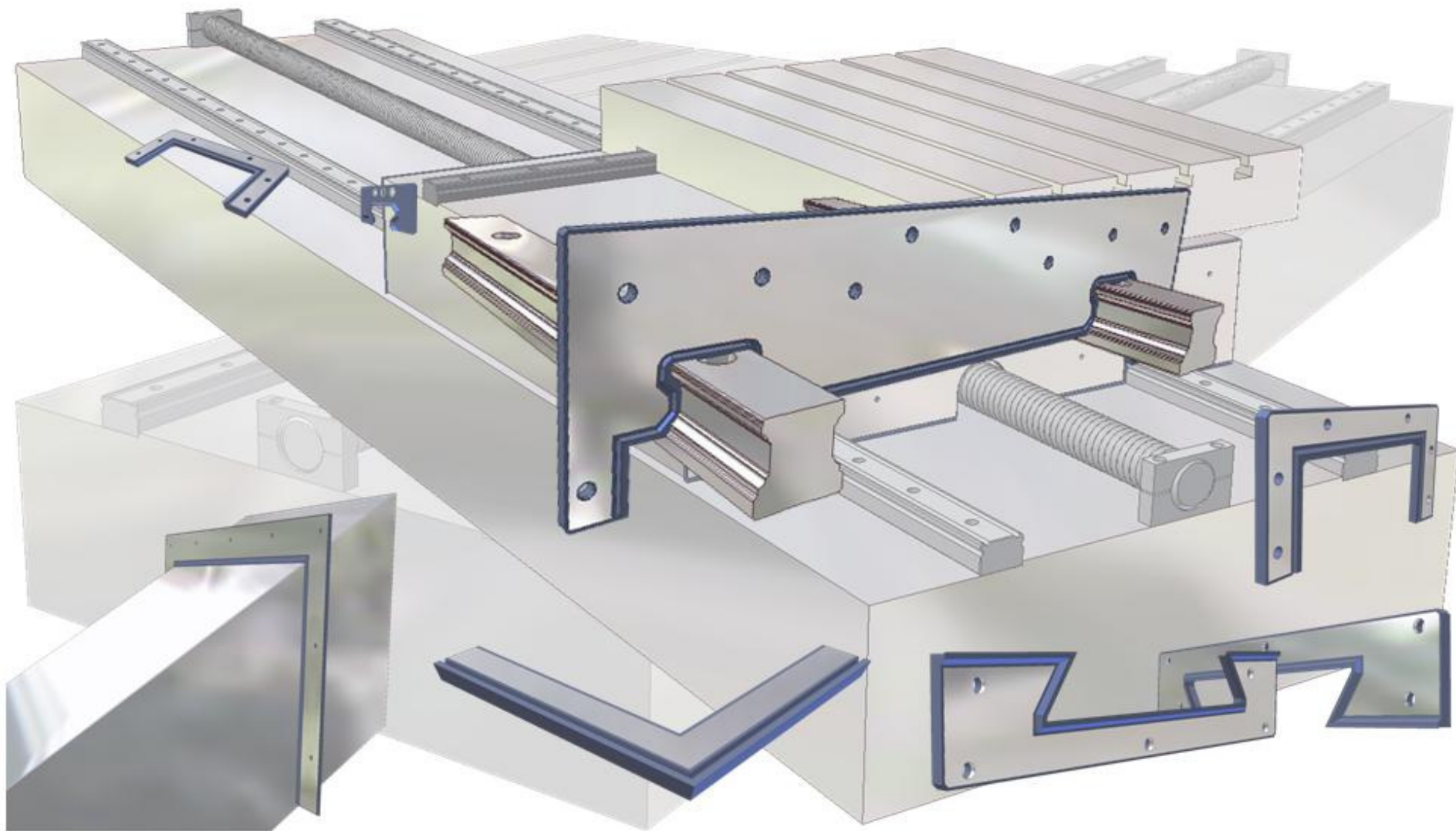


Way Wipers/Sealings

thodacon

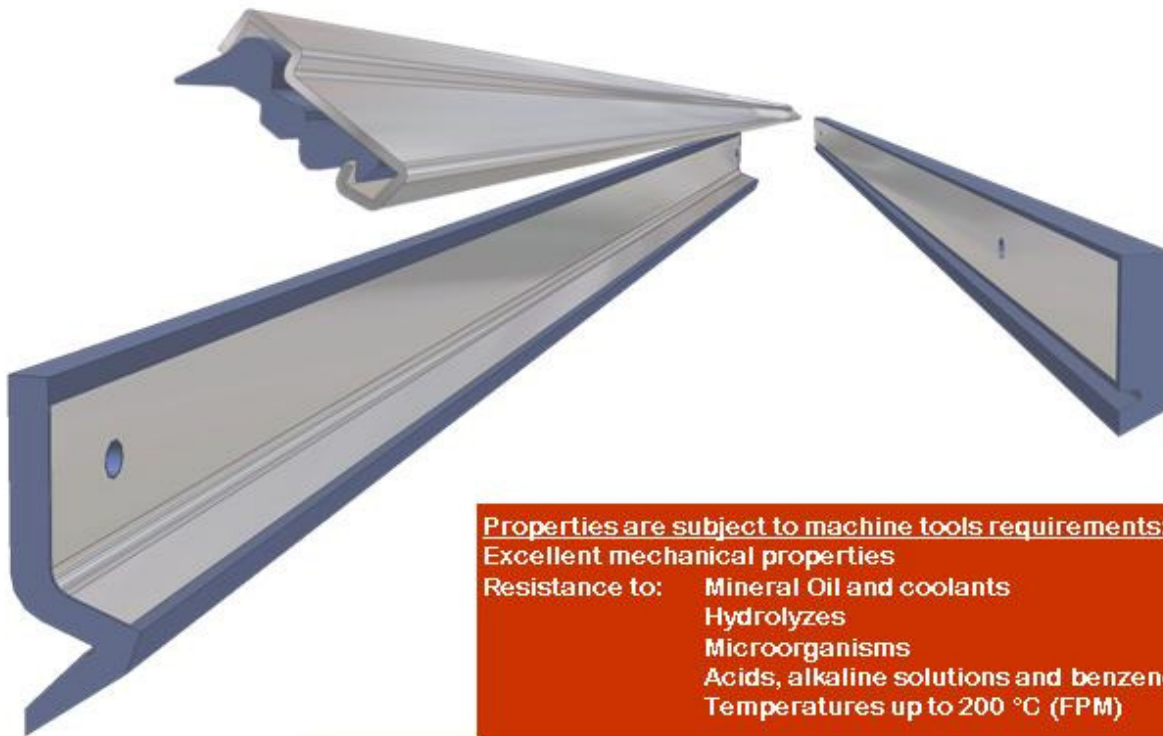
Wuxi Thodacon Machine Tool Accessory Co., Ltd.



Way Wipers/Sealings

thodacon

Wuxi Thodacon Machine Tool Accessory Co., Ltd.



Properties are subject to machine tools requirements:

Excellent mechanical properties

Resistance to: Mineral Oil and coolants
Hydrolyzes
Microorganisms
Acids, alkaline solutions and benzene
Temperatures up to 200 °C (FPM)

Please note the explanations to our material codes:

PU (Polyurethane)
NBR (Nitrile Rubber)
H-NBR (Hydrogenated Nitrile Rubber)
FPM (Fluoric Rubber) also known as Viton® (Trademark of DuPont)

Thodacon Way wipers are elaborated parts. All used materials are developed for the special requirements of machine tools. The huge field of applications in the machine tool sector has been creating evolutionarily a big number of different wiper and sealing solutions as well.

General properties

Whether requirements like resistance to abrasion, excellent suitable shapes according to the most complicate guide ways by low coefficient of friction or just the chemical resistance to mineral oil, coolants, and even acids, the range of Thodacon way wipers and sealings will offer you the appropriate answer for your needs.

Our technicians are pleased to submit you an adequate advisory service. As a matter of course we provide CAD exchange of 3-D files and make it easy to implement our parts into your design.

Even most comprehensive developments are carried out in accurate quality in the shortest possible time.

Depending on the solution, the elastomers we choose are special Thodacon compositions of NBR, H-NBR, FPM and PU. Support frames and casings are mostly made of high grade steel or are well protected to corrosion.

The regular elastomer compositions are NBR and FPM with a hardness of 83 A . The standard color is black. Further hardnesses, colors as well as the using of the material H-NBR are available according to the customers' request.

A big range of standard parts in stock is available for prompt delivery.

Series MW (Moulded Wiper)

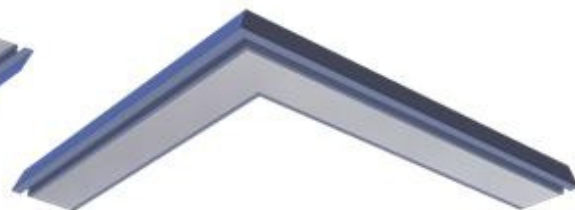
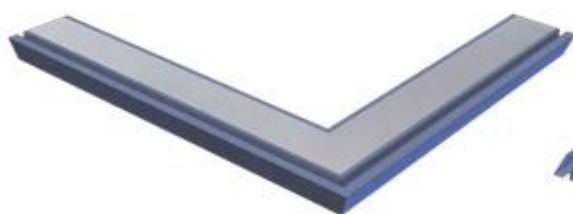
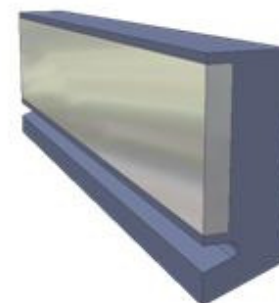
thodacon

Wuxi Thodacon Machine Tool Accessory Co., Ltd.

MW Moulded Wiper, Type A

Type	Order No.	H	T	Length	Elast.
MW A 1	1000168	14	6.5	500	NBR
MW A 2	1000169	14	6.5	500	FPM
MW A 3	1000082	18	6.5	500	NBR
MW A 4	1000083	18	6.5	500	FPM
MW A 5	1000170	25	6.5	500	NBR
MW A 6	1000171	25	6.5	500	FPM
MW A 7	1000172	14	5	500	NBR
MW A 8	1000173	14	5	500	FPM
MW A 9	1000174	18	5	500	NBR
MW A 10	1000175	18	5	500	FPM
MW A 11	1000176	25	5	500	NBR
MW A 12	1000177	25	5	500	FPM

Type A



All dimensions in "mm"

Series MW (Moulded Wiper)

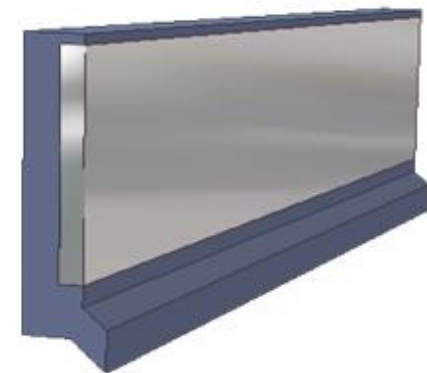
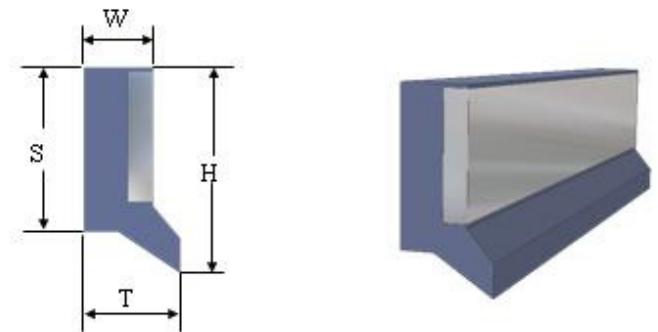
thodacon

Wuxi Thodacon Machine Tool Accessory Co., Ltd.

MW Moulded Wiper, Type B

Type	Order No.	H	S	W	T	Length	Elast.
MW B 1	1000179	9.5	7.5	2.5	5	560	NBR
MW B 1L	1001104	9.5	7.5	2.5	5	1000	NBR
MW B 2	1000180	9.5	7.5	2.5	5	560	FPM
MW B 2L	1001135	9.5	7.5	2.5	5	1000	FPM
MW B 3	1000181	15	11.5	5	7	560	NBR
MW B 3L	1000993	15	11.5	5	7	1000	NBR
MW B 4	1000182	15	11.5	5	7	560	FPM
MW B 4L	1001146	15	11.5	5	7	1000	FPM
MW B 5	1000104	18	15	5	9	560	NBR
MW B 5L	1001049	18	15	5	9	1000	NBR
MW B 6	1000183	18	15	5	9	560	FPM
MW B 6L	1001147	18	15	5	9	1000	FPM
MW B 7	1000184	21	17.5	5	7	560	NBR
MW B 7L	1001127	21	17.5	5	7	1000	NBR
MW B 8	1000185	21	17.5	5	7	560	FPM
MW B 8L	1001148	21	17.5	5	7	1000	FPM
MW B 9	1000186	25	21	6	11	560	NBR
MW B 9L	1001105	25	21	6	11	1000	NBR

Type B



All dimensions in "mm"

Series MW (Moulded Wiper)

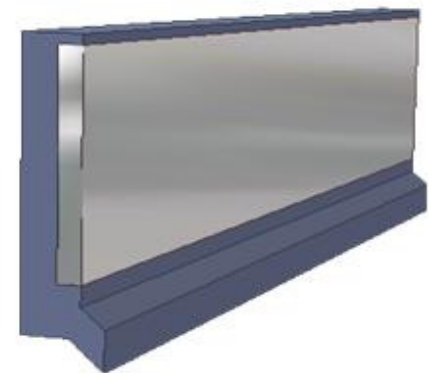
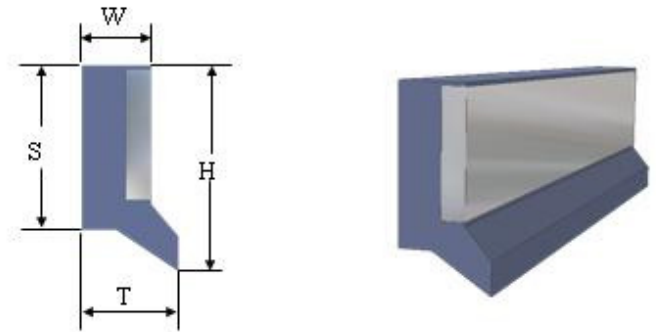
thodacon

Wuxi Thodacon Machine Tool Accessory Co., Ltd.

MW Moulded Wiper, Type B

Type	Order No.	H	S	W	T	Length	Elast.
MW B 10	1000187	25	21	6	11	560	FPM
MW B 10L	1001149	25	21	6	11	1000	FPM
MW B 11	1000188	26	23	5	7	560	NBR
MW B 11L	1001106	26	23	5	7	1000	NBR
MW B 12	1000189	26	23	5	7	560	FPM
MW B 12L	1001150	26	23	5	7	1000	FPM
MW B 13	1000190	30	27	5	7	560	NBR
MW B 14	1000191	30	27	5	7	560	FPM
MW B 15	1000901	31	28	5	7	560	NBR
MW B 15L	1001107	31	28	5	7	1000	NBR
MW B 16	1000902	31	28	5	7	560	FPM
MW B 16L	1001153	31	28	5	7	1000	FPM
MW B 17	1001289	36	33	5	7	560	NBR
MW B 18	1001290	36	33	5	7	560	FPM
MW B 19	1001291	39	36	5	7	560	NBR
MW B 20	1001292	39	36	5	7	560	FPM

Type B



All dimensions in "mm"

Series MW (Moulded Wiper)

thodacon

Wuxi Thodacon Machine Tool Accessory Co., Ltd.

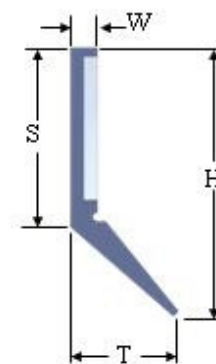
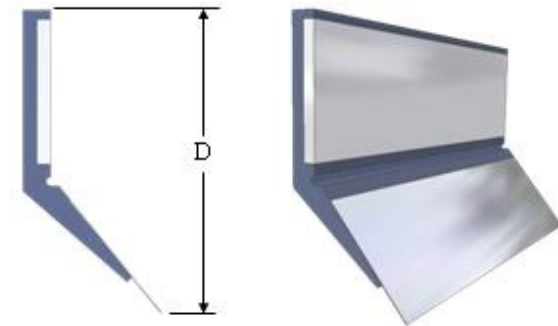
MW Moulded Wiper, Type C

Type	Order No.	Protection	H	S	W	T	D	Length	Elast.
MW C 1	1000197	Spring steel	25	15.5	3	12	29	800	NBR
MW C 2	1000198	Spring steel	25	15.5	3	12	29	800	FPM
MW C 3	1000199	-	25	15.5	3	12	-	800	NBR
MW C 4	1000200	-	25	15.5	3	12	-	800	FPM
MW C 5	1000113	Spring steel	30	20.5	3	12	34	800	NBR
MW C 6	1000201	Spring steel	30	20.5	3	12	34	800	FPM
MW C 7	1000087	-	30	20.5	3	12	-	800	NBR
MW C 8	1000202	-	30	20.5	3	12	-	800	FPM

Moulded Wiper Type C are the right choice to clean big steel plates with inaccuracies in the surface. The high flexible wiper lip compensates it easily. A preload up to 4 mm while keeping a constant low friction makes this wiper suitable especially for the internal space of high speed drilling machines. An optional high grade spring steel vulcanised on the rubber will be an excellent protection to hot chips, which are part of the stringent environment in the machines.

The regular elastomer compositions are NBR and FPM with a hardness of 75 A. The standard color is black. Further hardnesses, colors as well as the using of the material H-NBR are available according to the customers' request.

Type C



All dimensions in "mm"

Series MW (Moulded Wiper)

thodacon

Wuxi Thodacon Machine Tool Accessory Co., Ltd.

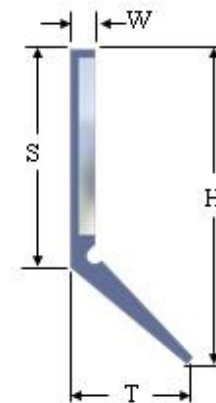
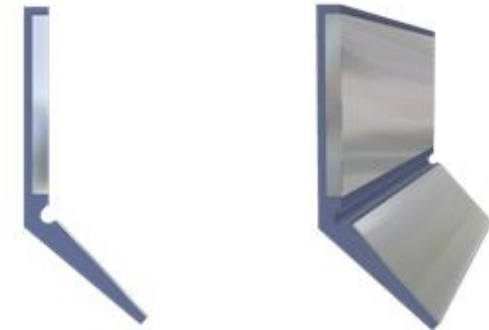
MW Moulded Wiper, Type D

Type	Order No.	Protection	H	S	W	T	Length	Elast.
MW D 1	1000203	Spring steel	39	27	3	15	850	NBR
MW D 2	1000204	Spring steel	39	27	3	15	850	FPM
MW D 3	1000205	-	39	27	3	15	850	NBR
MW D 4	1000206	-	39	27	3	15	850	FPM

Moulded Wiper Type D are the right choice to clean big steel plates with inaccuracies in the surface. The high flexible wiper lip compensates it easily. A preload up to 4 mm while keeping a constant low friction makes this wiper suitable especially for the internal space of high speed drilling machines. An optional high grade spring steel vulcanised on the rubber will be an excellent protection to hot chips, which are part of the stringent environment into the machines.

The regular elastomer compositions are NBR and FPM with a hardness of 75 A. The standard color is black. Further hardnesses, colors as well as the using of the material H-NBR are available according to the customers' request.

Type D



All dimensions in "mm"

Series MW (Moulded Wiper)

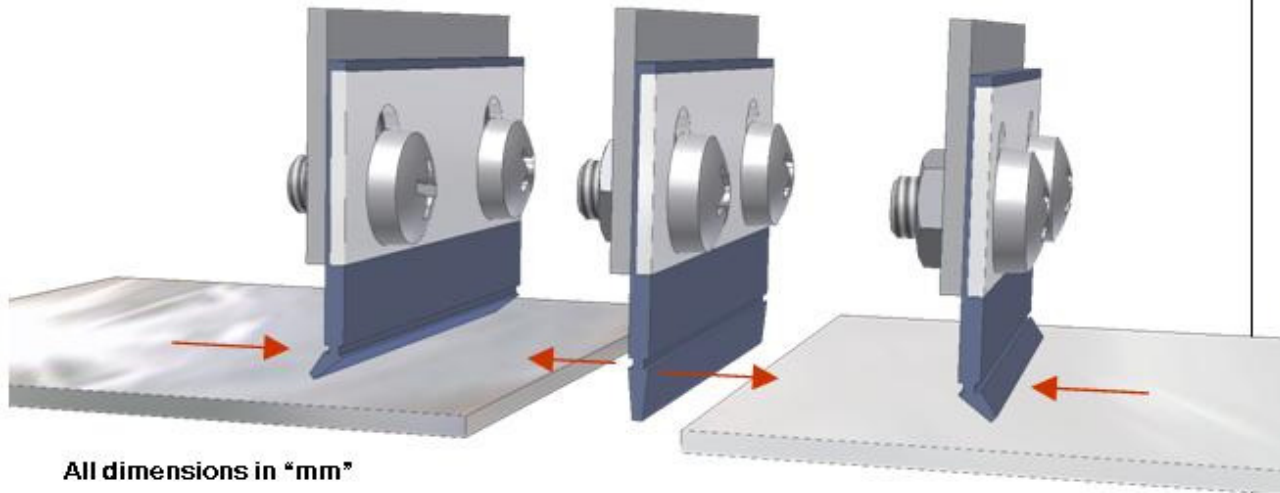
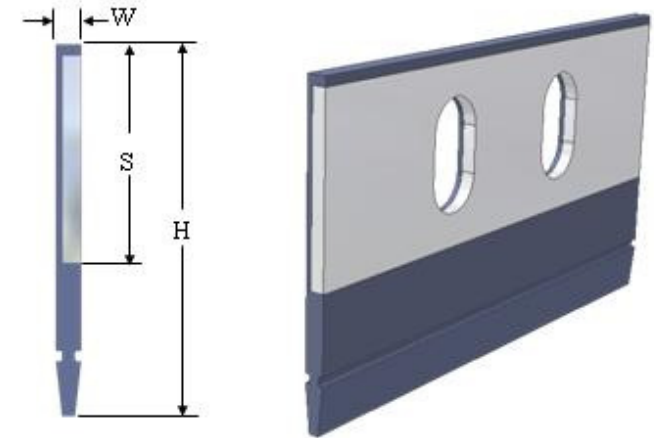
thodacon

Wuxi Thodacon Machine Tool Accessory Co., Ltd.

MW Moulded Wiper, Type E (swing lip)

Type	Order No.	H	W	S	Length	Elast.
MW E 1	1000207	25	2	17.3	600	NBR
MW E 2	1000208	25	2	17.3	600	FPM
MW E 3	1000209	25	2	17.3	600	NBR
MW E 4	1000210	25	2	17.3	600	FPM
MW E 5	1000098	34	2	19.3	600	NBR
MW E 6	1000211	34	2	19.3	600	FPM
MW E 7	1000212	34	2	19.3	600	NBR
MW E 8	1000213	34	2	19.3	600	FPM

Type E



All dimensions in "mm"

Moulded Wipers Type E are the right choice to clean any guideway with steps or interruptions in the surface. A **preload up to 3 mm** while keeping a constant low friction makes this wiper suitable especially to compensate inaccuracies between any cover parts like **machine doors**.

Series MW (Moulded Wiper)

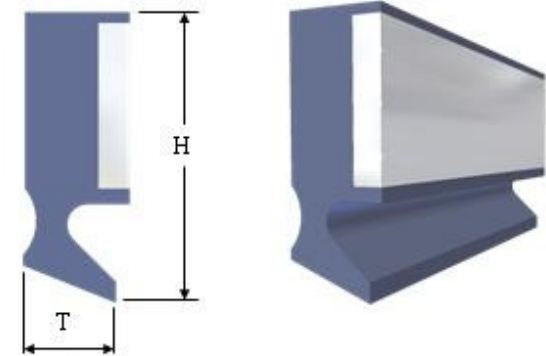
thodacon

Wuxi Thodacon Machine Tool Accessory Co., Ltd.

MW Moulded Wiper, Type F

Type	Order No.	H	T	Length	Elast.
MW F 1	1000214	22	10.5	800	NBR
MW F 2	1000215	22	10.5	800	FPM
MW F 3	1000122	28	10.5	800	NBR
MW F 4	1000216	28	10.5	800	FPM
MW F 5	1000217	40	10.5	800	NBR
MW F 6	1000218	40	10.5	800	FPM

Type F

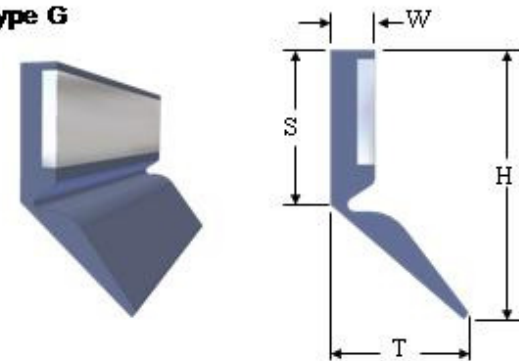


MW Moulded Wiper, Type G

Extremely flexible hinge wiper lip, Preload up to 10 mm

Type	Order No.	H	S	W	T	Length	Elast.
MW G 1	1000133	30	17	5	15.5	500	NBR
MW G 2	1000219	30	17	5	15.5	500	FPM
MW G 3	1000220	40	27	5	15.5	500	NBR
MW G 4	1000221	40	27	5	15.5	500	FPM

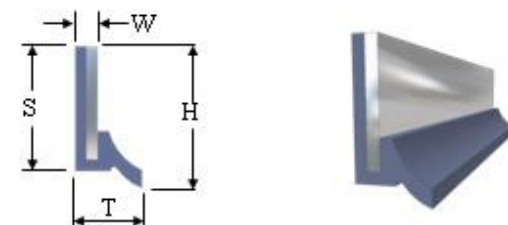
Type G



MW Moulded Wiper, Type H

Type	Order No.	H	S	W	T	Length	Elast.
MW H 1	1000125	12.5	11	2	6	500	NBR
MW H 2	1000222	12.5	11	2	6	500	FPM

Type H



All dimensions in "mm"

Series MW (Moulded Wiper)

thodacon

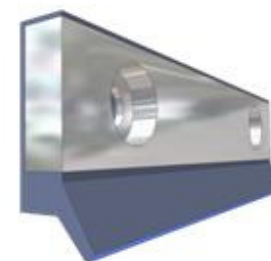
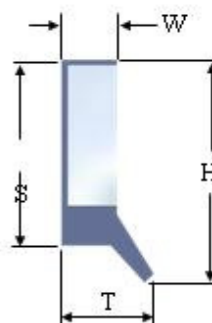
Wuxi Thodacon Machine Tool Accessory Co., Ltd.

MW Moulded Wiper, Type K

Aluminium case , step holes possible

Type	Order No.	H	S	W	T	Length	Elast.
MW K 1	1000607	18	15	4.5	7.5	500	NBR
MW K 2	1000896	18	15	4.5	7.5	500	FPM
MW K 3	1000835	25	22	4.5	7.5	560	NBR
MW K 4	1000914	25	22	4.5	7.5	560	FPM

Type K

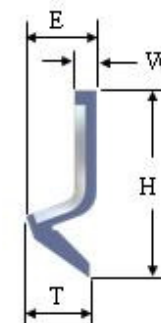
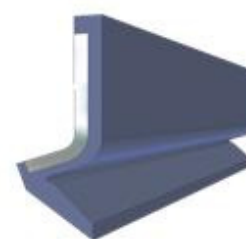


MW Moulded Wiper, Type N

Preload up to 3 mm

Type	Order No.	H	E	W	T	Length	Elast.
MW N 1	1000127	26	10	3	9	500	NBR
MW N 2	1000920	26	10	3	9	500	FPM

Type N

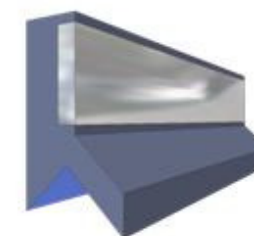
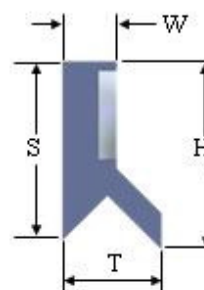


MW Moulded Wiper, Type V

Double sealing

Type	Order No.	H	S	W	T	Length	Elast.
MW V 1	1000905	21	20	6	11	560	NBR
MW V 2	1000906	21	20	6	11	560	FPM
MW V 3	1000912	26	25	6	11	560	NBR
MW V 4	1000913	26	25	6	11	560	FPM

Type V



All dimensions in "mm"

Series MW (Moulded Wiper)

thodacon

Wuxi Thodacon Machine Tool Accessory Co., Ltd.

MW Moulded Wiper, Type U

Classical solution including vulcanised steel case

Type	Order No.	H	S	W	T	Length	Elast.
MW U 1	1000789	25.4	22	6.35	12.7	560	NBR
MW U 2	1000915	25.4	22	6.35	12.7	560	FPM

Flexible solution without steel case

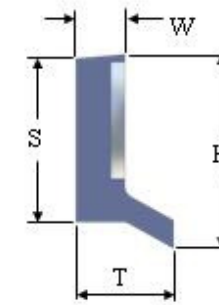
Type	Order No.	H	S	W	T	Length	Elast.
MW U 3	1000620	25.4	22	6.35	12.7	560	NBR
MW U 4	1000916	25.4	22	6.35	12.7	560	FPM

Flexible solution with vulcanised spring steel protection

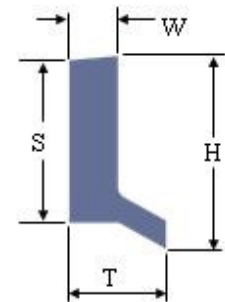
Type	Order No.	H	S	W	T	Length	Elast.
MW U 5	1000621	25.4	22	6.35	12.7	560	NBR
MW U 6	1000917	25.4	22	6.35	12.7	560	FPM

All dimensions in "mm"

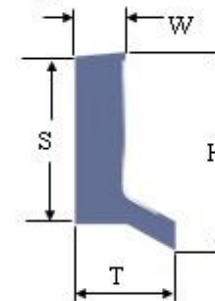
Type U



Type U



Type U



Finger Spring Steel



Series MW (Moulded Wiper)

thodacon

Wuxi Thodacon Machine Tool Accessory Co., Ltd.

MW Moulded Wiper, Type U

Type	Order No.	H	S	W	T	Length	Elast.
MW U 7	1001108	25	21	6	11	560	NBR
MW U 8	1001122	25	21	6	11	560	FPM

MW Moulded Wiper, Type U

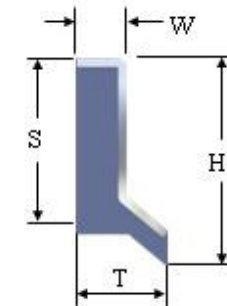
Type	Order No.	H	S	W	T	Length	Elast.
MW U 9	1001123	25	21	6	11	560	NBR
MW U 10	1001124	25	21	6	11	560	FPM

MW Moulded Wiper, Type X

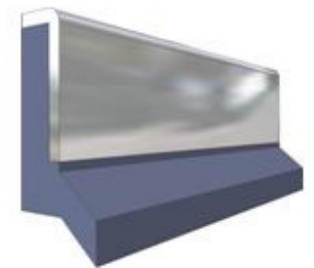
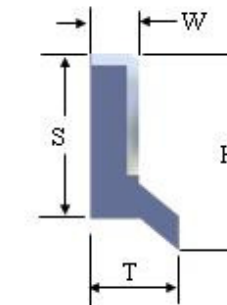
Type	Order No.	H	S	W	T	Length	Elast.
MW X 1	1000922	27.5	21.5	6	10	500	NBR
MW X 2	1001182	27.5	21.5	6	10	500	FPM

All dimensions in "mm"

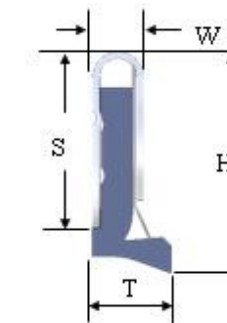
Type U



Type U



Type X

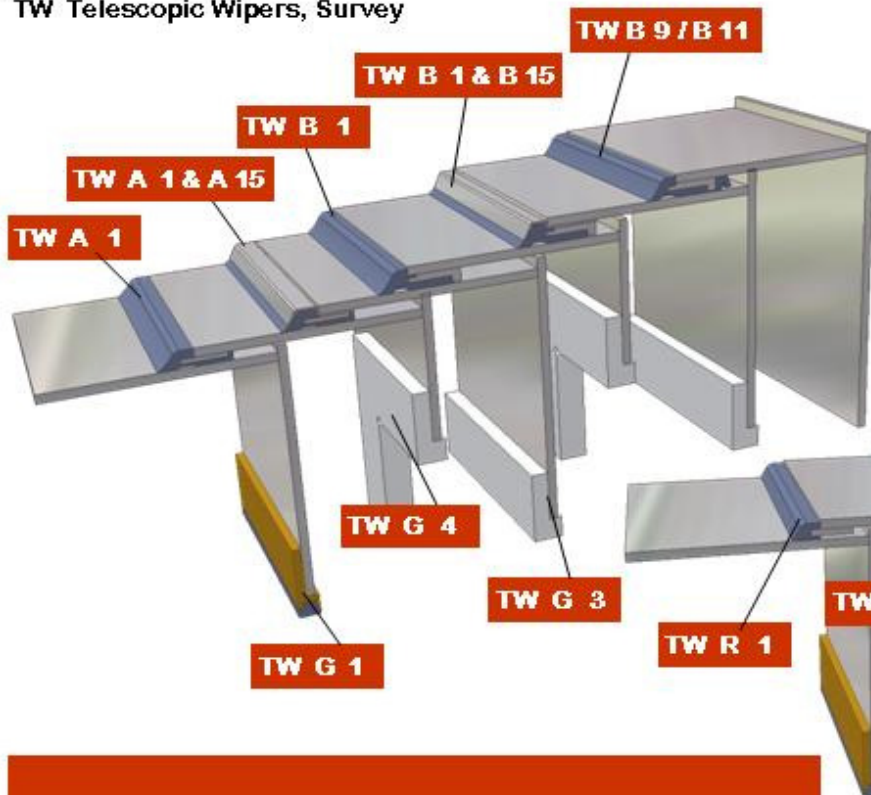


Series TW (Telescopic Wipers)

thodacon

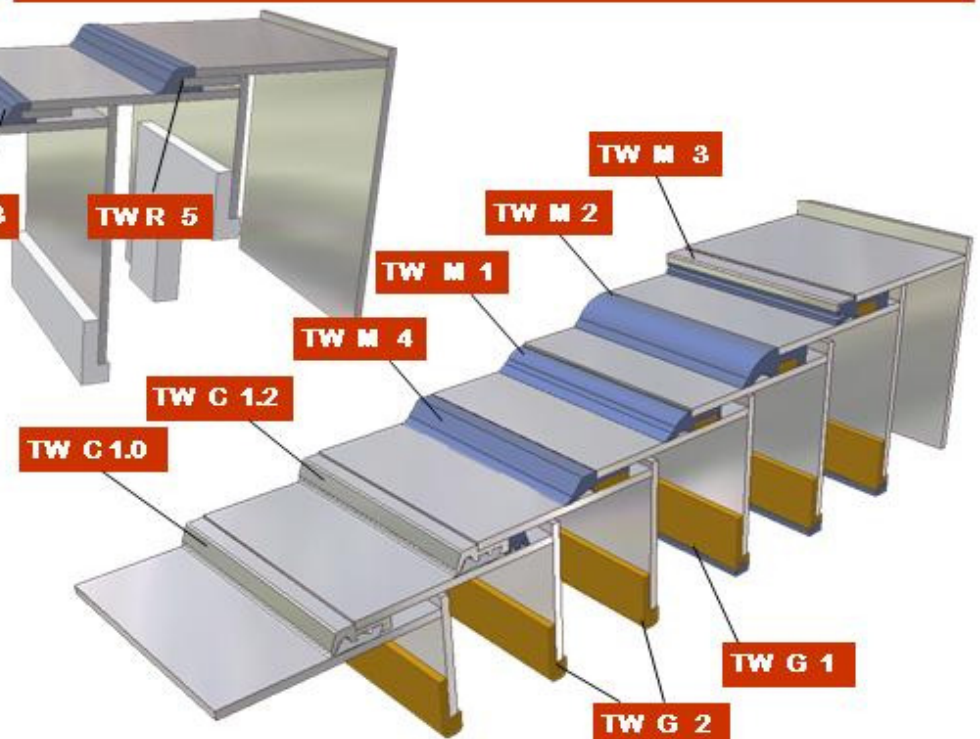
Wuxi Thodacon Machine Tool Accessory Co., Ltd.

TW Telescopic Wipers, Survey



- Way Wipers for Telescopic Covers as well as sliding elements to support the covers have to fulfill the hardest requirements. High temperatures (hot chips), highly abrasive and chemical decomposing environment demand the most suitable materials and an attentive fabrication.
- All Thodacon components are developed and carried out in commitment to a long durability of your covers.
- The range of various products match most of existing cover designs.

- Find your suitable standard Profile
- Many types available ex-stock
- Customised solutions according to your requirements
- An excellent technical support



Series TW (Telescopic Wipers)

thodacon

Wuxi Thodacon Machine Tool Accessory Co., Ltd.

TW Telescopic Wipers, Type A

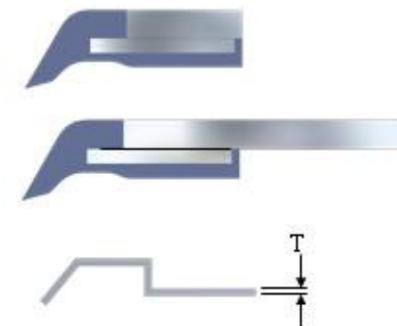
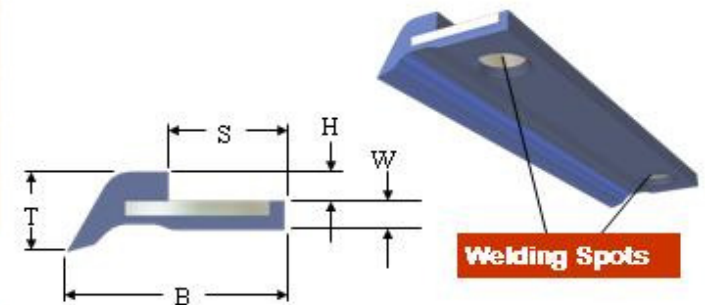
Type	Order No.	S	H	B	W	T	Length	Elast.
TW A 1	1000007	8	2	15	2	6	500	NBR
TW A 2	1000086	8	2	15	2	6	500	FPM
TW A 3	1000223	8	2	15	2	6	1000	NBR
TW A 4	1000224	8	2	15	2	6	1000	FPM

TW Telescopic Wipers, Type A, further variations

Type	Order No.	S	H	B	W	T	Length	Elast.	Steel Plate
TW A 5	1000159	8	2	15	2	6	500	NBR	8 x 2
TW A 6	1000225	8	2	15	2	6	500	FPM	8 x 2
TW A 7	1000162	8	2	15	2	6	500	NBR	20 x 2
TW A 8	1000226	8	2	15	2	6	500	FPM	20 x 2

Type	Order No.	Description	T	Length	Material
TW A 15	1000930	Spring steel protection	0.5	1000	CrNi

Type A



TW A and TW B Wipers are mainly used at telescopic way covers. According to any requirements the wipers can be used as regular guide way wipers.

All dimensions in "mm"

Series TW (Telescopic Wipers)

thodacon

Wuxi Thodacon Machine Tool Accessory Co., Ltd.

TW Telescopic Wipers, Type B

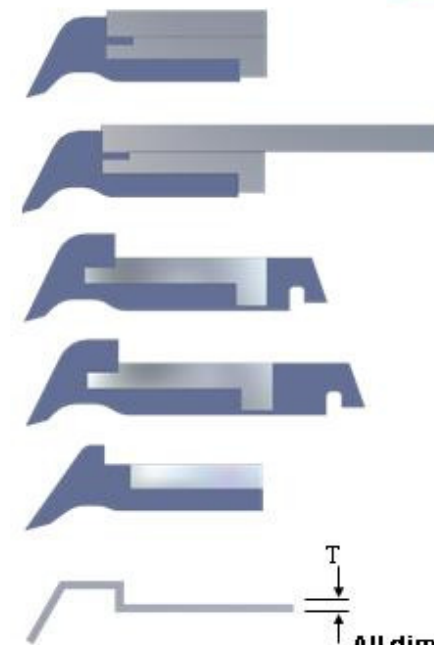
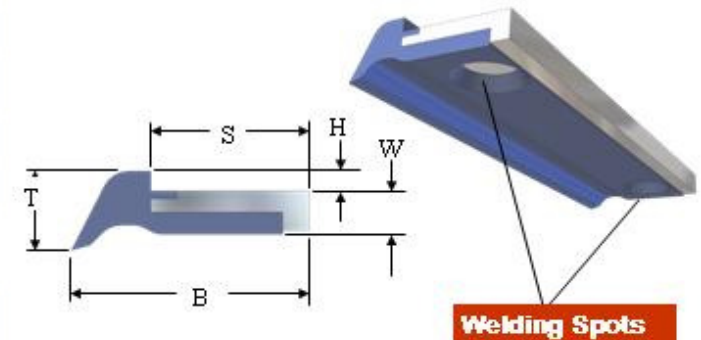
Type	Order No.	S	H	B	W	T	Length	Elast.
TW B 1	1000008	12	1.5	18	3.3	6	500	NBR
TW B 2	1000227	12	1.5	18	3.3	6	500	FPM
TW B 3	1000228	12	1.5	18 </td <td>3.3</td> <td>6</td> <td>1000</td> <td>NBR</td>	3.3	6	1000	NBR
TW B 4	1000229	12	1.5	18	3.3	6	1000	FPM

TW Telescopic Wipers, Type B, further variations

Type	Order No.	Bumper	S	H	B	W	T	Length	Elast.	Steel Plate
TW B 5	1000164	-	12	1.5	18	3.3	6	500	NBR	12 x 2
TW B 6	1000230	-	12	1.5	18	3.3	6	500	FPM	12 x 2
TW B 7	1000166	-	12	1.5	18	3.3	6	500	NBR	25 x 2
TW B 8	1000231	-	12	1.5	18	3.3	6	500	FPM	25 x 2
TW B 9	1000042	short	14	1.5	20	3.3	6	500	NBR	-
TW B 10	1000043	short	14	1.5	20	3.3	6	500	FPM	-
TW B 11	1000044	long	16	1.5	22	3.3	6	500	NBR	-
TW B 12	1000045	long	16	1.5	22	3.3	6	500	FPM	-
TW B 13	1000462	-	12	1.5	18	3.3	6	1000	NBR	-
TW B 14	1000409	-	12	1.5	18	3.3	6	1000	FPM	-

Type	Order No.	Description	T	Length	Material
TW B 15	1000931	Spring steel protection	0.5	1000	CrNi

Type B



All dimensions in "mm"

Series TW (Telescopic Wipers)

thodacon

Wuxi Thodacon Machine Tool Accessory Co., Ltd.

TW Telescopic Wipers, Type C 1

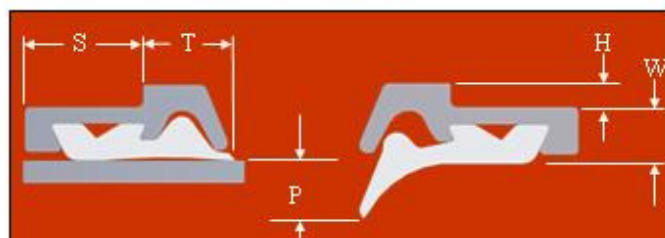
Type	Order No.	Bumper	S	H	P	W	T	Length	Casing	Wiperlip
TW C 1.0	1000237	-	8	1.5	2.5	3.5	6	1000	Steel	PU 83
TW C 1.1	1000236	-	8	1.5	2.5	3.5	6	1000	Steel	PU 95
TW C 1.2	1000238	NBR	8	1.5	2.5	3.5	6	500	Steel	PU 83
TW C 1.3	1000894	NBR	8	1.5	2.5	3.5	6	500	Steel	PU 95

Casing and wiper lip available separately

Type	Order No.	Bumper	Application	Length	Casing	Wiperlip
TW C 1.4	1000141	NBR	-	500	Steel	-
TW C 1.5	1000239	-	-	1000	Steel	-
TW C 1.6	1000240	-	-	3000	Steel	-
TW C 1.71	1000142	-	regular using	endless	-	PU 83 white
TW C 1.72	1000106	-	regular using	endless	-	PU 83 black
TW C 1.73	1001346	-	regular using	endless	-	PU 83 red
TW C 1.8	1000241	-	dry using	endless	-	PU 95 black

- Wiper lip Type C is much easier to mount and to replace than the existing solutions.
- The steel case offers a better protection to hot chips.
- A higher preload of 2.5 mm makes it possible to compensate unevenness in the surface.
- The chemical resistance of the wiper lip is reassimilated to the higher requirements in the machine tool areas.
- Although the wiper is a completely new Thodacon design, the wiper lip is interchangeable with lips of similar commercial systems. We will be pleased to advise you.

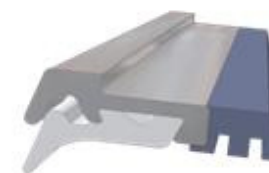
IMPROVEMENT OF THE YEAR:



Thodacon's TW C Wiper beats it all: A preload of 2.5 mm while keeping a constant low friction allows to use the wiper even when the telescopic steel plates are spoiled. TW C compensates all inaccuracies in the surface. Also TW C is the first choice for cleaning the aluminium apron covers.



Option available with vulcanised BUMPER



All dimensions in "mm"



Series TW (Telescopic Wipers)

thodacon

Wuxi Thodacon Machine Tool Accessory Co., Ltd.

TW Telescopic Wipers, Type C 2

Type	Order No.	S	H	P	W	T	Length	Casing	Wiperlip
TW C 2.0	1002348	12	1.5	2.5	3.5	6	1000	Steel	PU 83
TW C 2.1	1002349	12	1.5	2.5	3.5	6	1000	Steel	PU 95
TW C 2.2	1002350	12	1.5	2.5	3.5	6	500	Steel	PU 83
TW C 2.3	1002351	12	1.5	2.5	3.5	6	500	Steel	PU 95

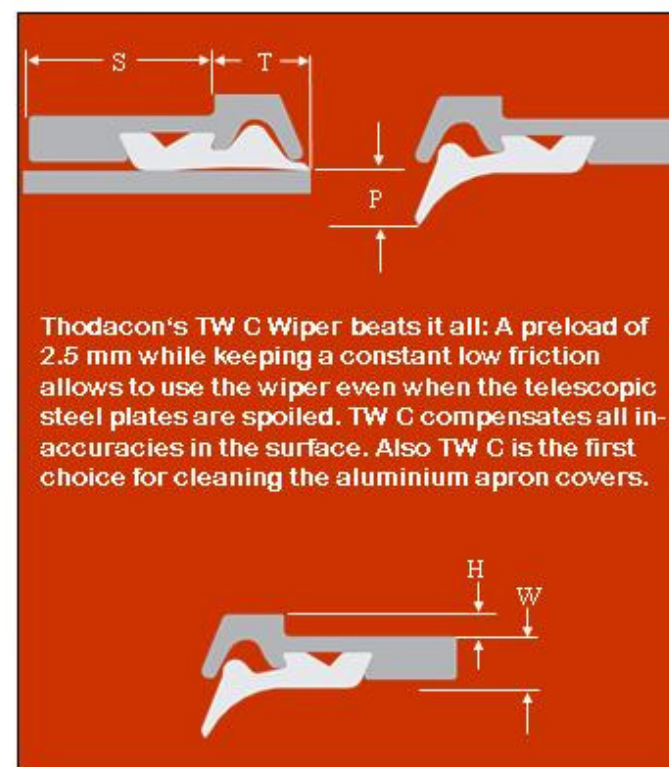
Casing and wiper lip available separately

Type	Order No.	Application	Length	Casing	Wiperlip
TW C 2.4	1002352	-	500	Steel	-
TW C 2.5	1002353	-	1000	Steel	-
TW C 2.6	1002132	-	3000	Steel	-

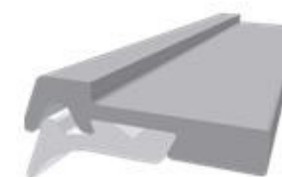
Wiper lip see TW C 1 (Previous page)

- Wiper lip Type C is much easier to mount and to replace than the existing solutions.
- The steel case offers a better protection to hot chips.
- A higher preload of 2.5 mm makes it possible to compensate unevenness in the surface.
- The chemical resistance of the wiper lip is reassimilated to the higher requirements in the machine tool areas.
- Although the wiper is a completely new Thodacon design, the wiper lip is interchangeable with lips of similar commercial systems. We will be pleased to advise you.

IMPROVEMENT OF THE YEAR:



Thodacon's TW C Wiper beats it all: A preload of 2.5 mm while keeping a constant low friction allows to use the wiper even when the telescopic steel plates are spoiled. TW C compensates all inaccuracies in the surface. Also TW C is the first choice for cleaning the aluminium apron covers.



All dimensions in "mm"



Series TW (Telescopic Wipers)

thodacon

Wuxi Thodacon Machine Tool Accessory Co., Ltd.

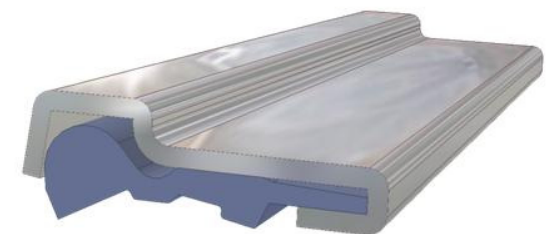
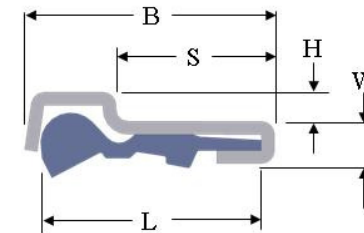
TW Telescopic Wipers, Type E

Type	Order No.	S	H	B	W	Length	Casing	Wiperlip
TW E 1.0	1000242	8	2	14	2	1000	Steel Case	PU 83

Casing and wiper lip available separately

Type	Order No.	Issue	S	B	L	Length	Casing	Wiperlip
TW E 1.1	1000244	-	8	14	-	1000	Steel Case	-
TW E 1.2	1000017	-	8	14	-	2000	Steel Case	-
TW E 1.3	1000018	regular using	-	-	12	endless	-	PU 83
TW E 1.4	1000245	dry using	-	-	12	endless	-	PU 95

Type E



All dimensions in "mm"

Series TW (Telescopic Wipers)

thodacon

Wuxi Thodacon Machine Tool Accessory Co., Ltd.

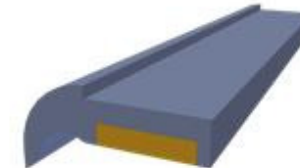
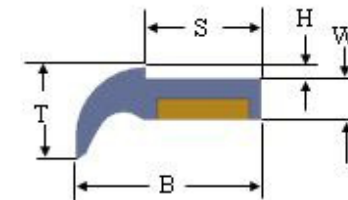
TW Telescopic Wipers, Type M

Type	Order No.	S	H	B	W	T	Length	Casing	Wiperlip
TW M 1.0	1000251	10	1	16	4	8	1000	Brass 8 x 2	NBR
TW M 1.1	1000351	10	1	16	4	8	1000	Brass 8 x 2	FPM
TW M 2.0	1000252	12	2	21	5	9	1000	Brass 8 x 3	NBR
TW M 2.1	1000352	12	2	21	5	9	1000	Brass 8 x 3	FPM

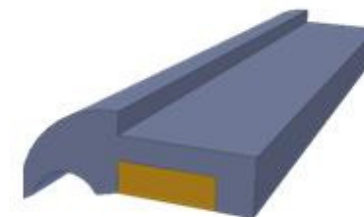
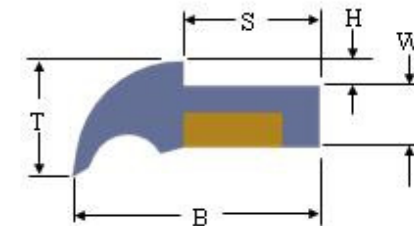
Casing and wiper lip available separately

Type	Order No.	Issue	S	H	B	W	T	Length	Casing	Wiperlip
TW M 1.2	1000048	Casing	-	-	-	-	-	1000	Brass 8 x 2	-
TW M 1.3	1000046	Lip	-	-	-	-	-	endless	-	NBR
TW M 1.4	1000353	Lip	10	1	16	4	8	1000	-	NBR
TW M 1.5	1000354	Lip	10	1	16	4	8	1000	-	FPM
TW M 2.2	1000049	Casing	-	-	-	-	-	1000	Brass 8 x 3	-
TW M 2.3	1000355	Lip	12	2	21	5	9	endless	-	NBR
TW M 2.4	1000047	Lip	12	2	21	5	9	1000	-	NBR
TW M 2.5	1000356	Lip	12	2	21	5	9	1000	-	FPM

Type M1



Type M2



All dimensions in "mm"

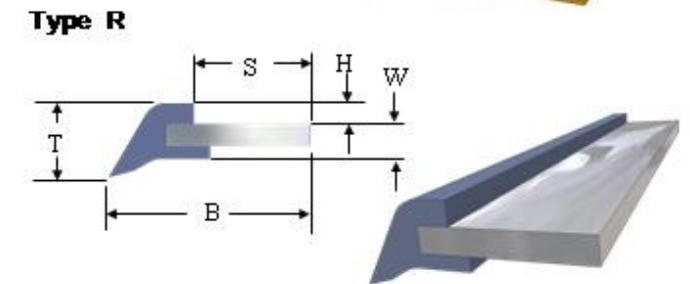
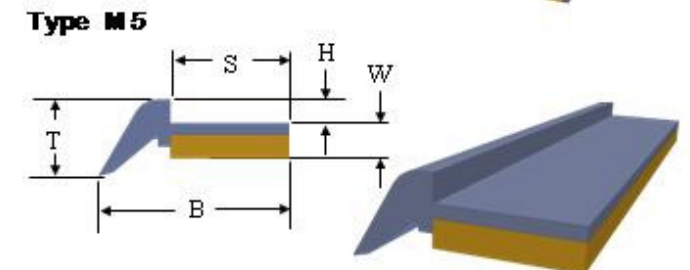
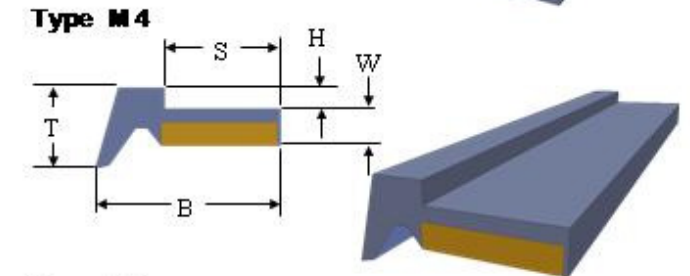
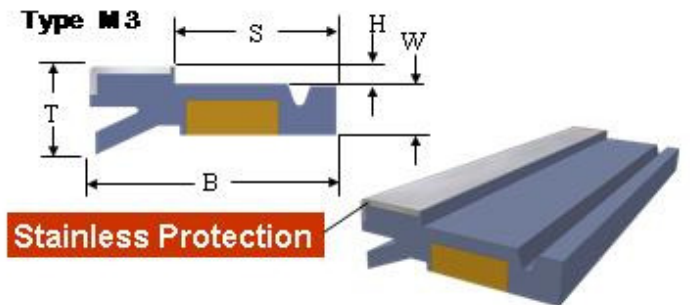
Series TW (Telescopic Wipers)

thodacon

Wuxi Thodacon Machine Tool Accessory Co., Ltd.

TW Telescopic Wipers, Type M

Type	Order No.	Protection	S	H	B	W	T	Length	Casing	Elast.
TW M 3.0	1000939	Stainless	14	1.5	21	4.3	7.5	1000	Brass 8 x 3	NBR
TW M 3.1	1001047	Stainless	14	1.5	21	4.3	7.5	1000	Brass 8 x 3	FPM
TW M 4.0	1001101	-	10	1.8	16	3.2	7	560	Brass 10x 2	NBR
TW M 4.1	1001102	-	10	1.8	16	3.2	7	560	Brass 10x 2	FPM
TW M 4.2	1002108	-	10	1.8	16	3.2	7	1000	Brass 10x 2	NBR
TW M 4.3	1002129	-	10	1.8	16	3.2	7	1000	Brass 10x 2	FPM
TW M 5.0	1002062	-	10	2	16	3	6.5	1000	Brass 10x 2	NBR
TW M 5.1	1002072	-	10	2	16	3	6.5	1000	Brass 10x 2	FPM



TW Telescopic Wipers, Type R

Type	Order No.	S	H	B	W	T	Length	Elast.
TW R 1	1000942	9.3	1.7	16	2.8	6	560	NBR
TW R 2	1001114	9.3	1.7	16	2.8	6	560	FPM
TW R 3	1001021	7	1.4	13	2.1	3.8	560	NBR
TW R 4	1001115	7	1.4	13	2.1	3.8	560	FPM
TW R 5	1001056	11.2	2.4	20	3.2	5.6	560	NBR
TW R 6	1001116	11.2	2.4	20	3.2	5.6	560	FPM

All dimensions in "mm"

Series TW (Telescopic Wipers)

thodacon

Wuxi Thodacon Machine Tool Accessory Co., Ltd.

TW Telescopic Slides, Type G

Type	Order No.	S	H	W	T	Length	Material	Slide Rubber
TW G 1	1000050	5	17	12	2	500	Brass	NBR
TW G 2	1000053	4	17	13	2	1000	Brass	-

Casing made of brass with or without vulconised slide rubber

Excellent mechanical properties

Resistance to: Mineral Oil and coolants

Hydrolizes

Microorganisms

Acids, alkaline solutions and benzene

Temperatures up to 200 °C (FPM)

Type	Order No.	S	H	W	T	Length	Material
TW G 3	1000253	8	15	19	5	500	HDPE

Excellent mechanical properties

Low weight

Easy to cut, mill and drill

Low coefficient of friction

Type	Order No.	S	H	W	T	A	B	Material
TW G 4	1000254	8	15	19	5	60	60	HDPE

Excellent mechanical properties

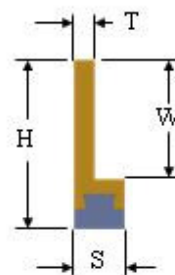
Low weight

Easy to cut, mill and drill

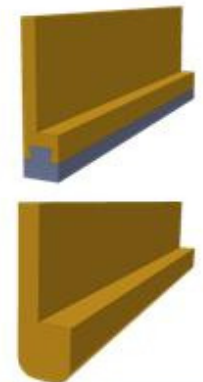
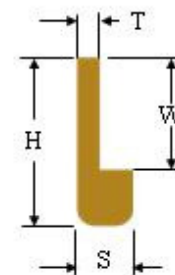
Low coefficient of friction

Resistance to: Mineral Oil and coolants

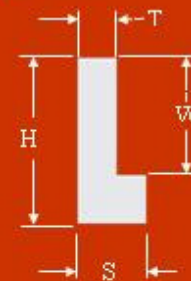
Type G1



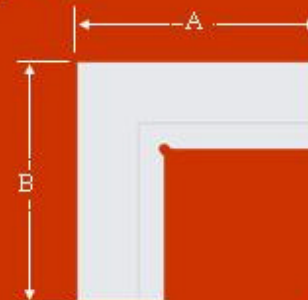
G2



Type G3



Type G4

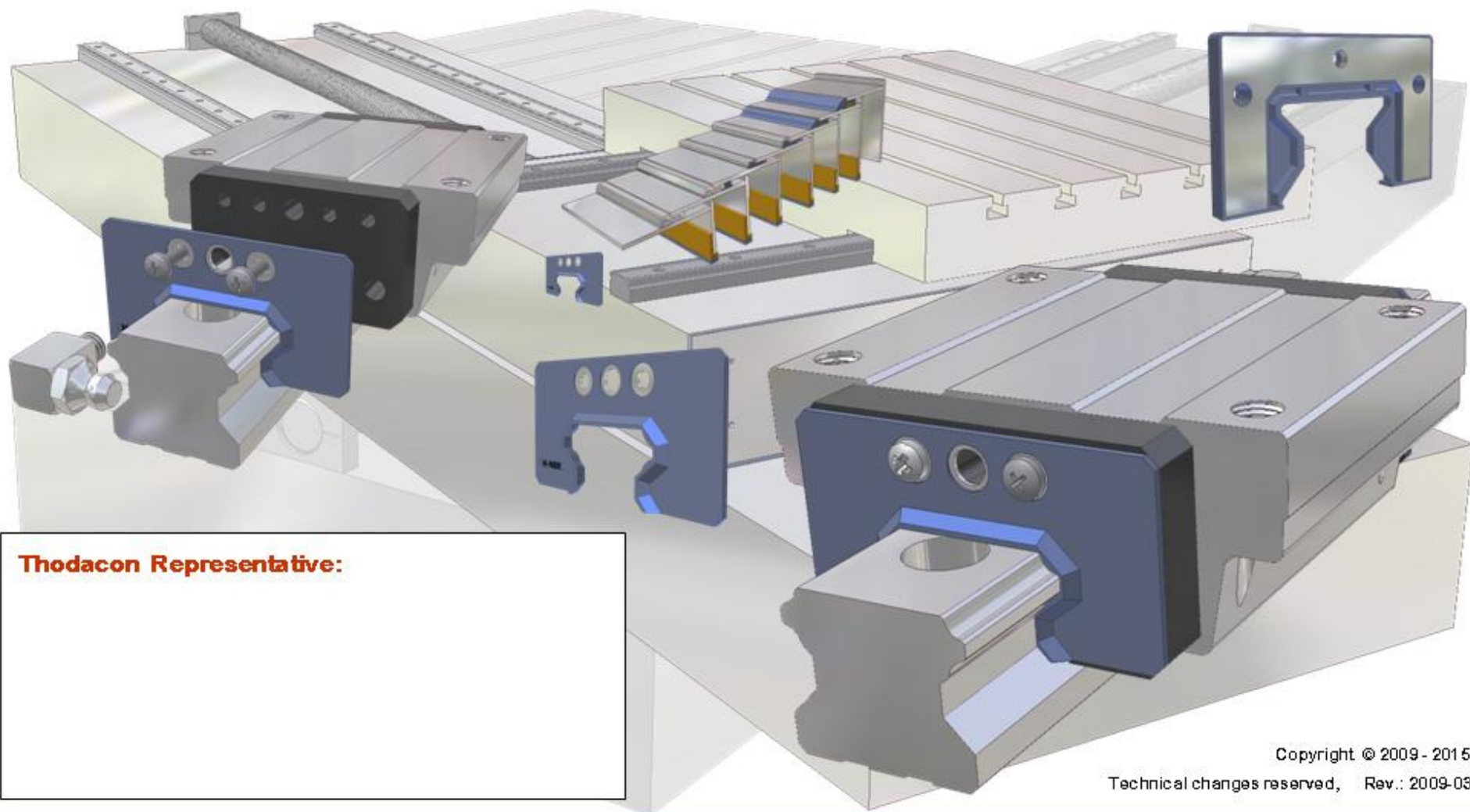


All dimensions in "mm"

Way Wipers/Sealings

thodacon

Wuxi Thodacon Machine Tool Accessory Co., Ltd.



Thodacon Representative:

Copyright © 2009 - 2015

Technical changes reserved, Rev.: 2009-03

无锡托达康机床附件有限公司 Wuxi Thodacon Machine Tool Accessory Co., Ltd.

Wuxi Qianqiao Xilu Rd. 300, 214153 Jiangsu Province, Tel: +86-510-8329-1518, Fax: +86-510-8329-1598, sd.thodacon@yahoo.com, www.thodacon.com